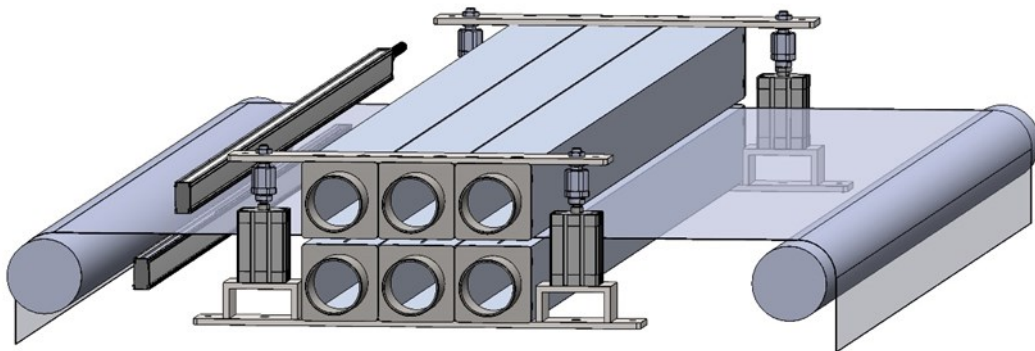


## Non-contact web cleaner

The **Valstat web cleaner** is a combination of a web cleaning station and an air flow unit. The web cleaning station uses air from the air flow unit to clean the web. The output web is thus relatively free of dust and contaminants.

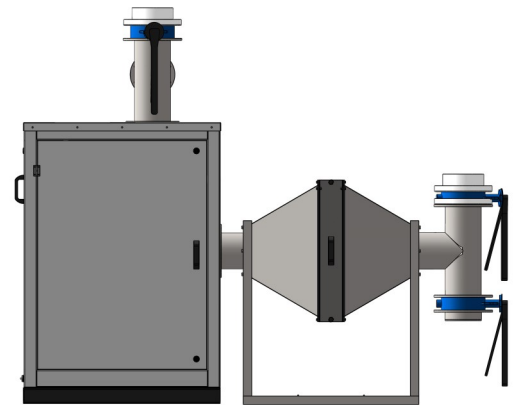
Both sides of the web are cleaned as a standard.

These are non-contact web cleaners, where a sheet of high velocity air is directed towards the web to break up the boundary layer of air and slacken up dust particles. A high level of vacuum easily picks up exposed dust particles.



### Advantages:

- Non-contact type and hence no damage or scratch to the substrate
- Can be mounted in any orientation
- No expensive consumables or spares
- Zero wear and tear parts
- Minimal maintenance
- Low running and service costs



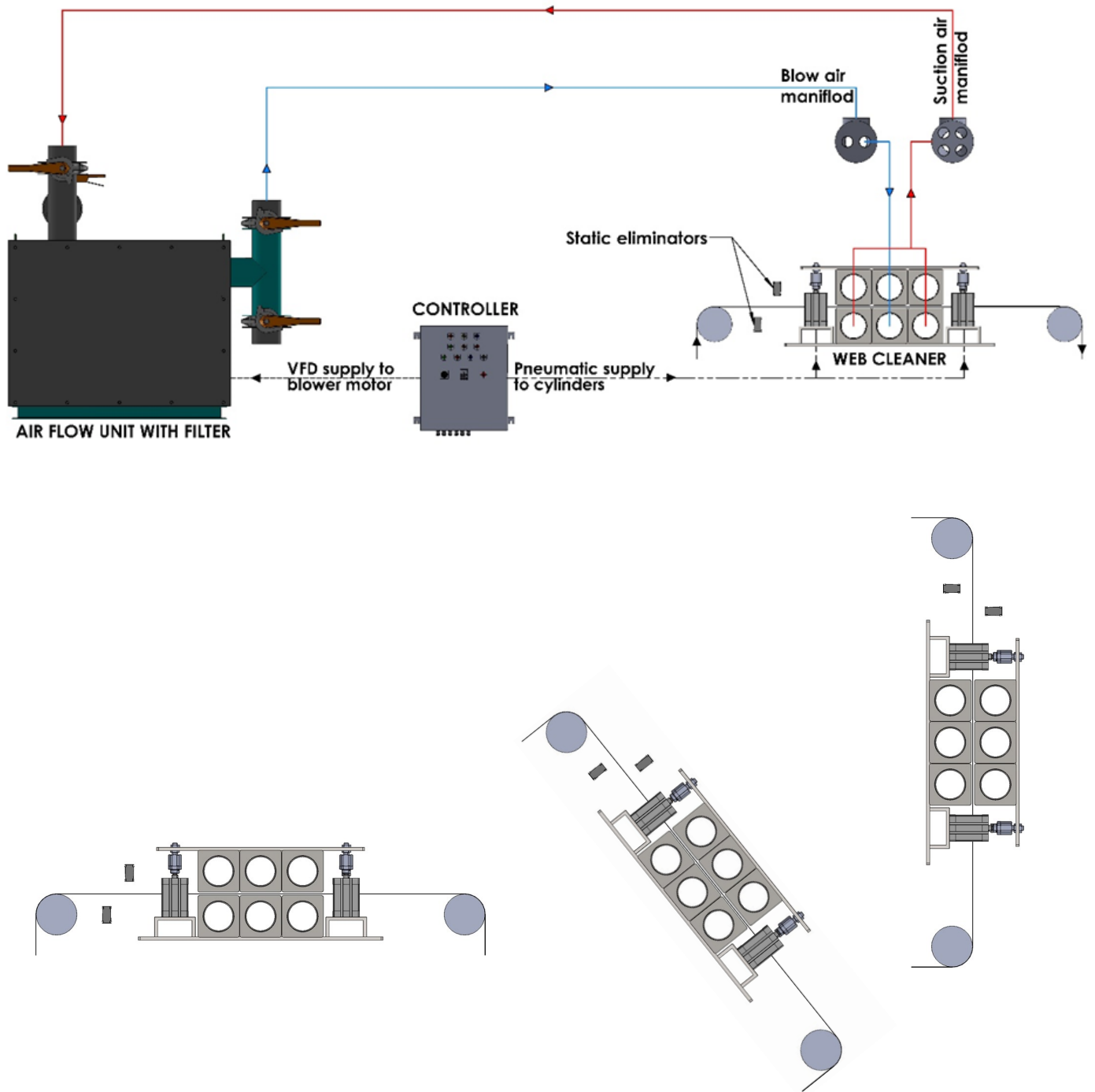
The air flow unit (AFU), housed in a compact foot mounted enclosure, provides the necessary air delivery and suction to the web cleaning station.

The AFU comprises a specialised blower arrangement with filter. The level of inlet and outlet air can be adjusted to suit the specific application.

The media of the filter arrangement can strain dust particles down to 3 microns and hence, the AxisValence web cleaners are capable of removing even micro-particles.

Rating of the blower/motor depends on the material of web, web-width and linear speed.

## Non-contact web cleaner



**AxisValence** has extensive experience and expertise in various applications across industries, which we leverage to provide a suitable solution for your application.